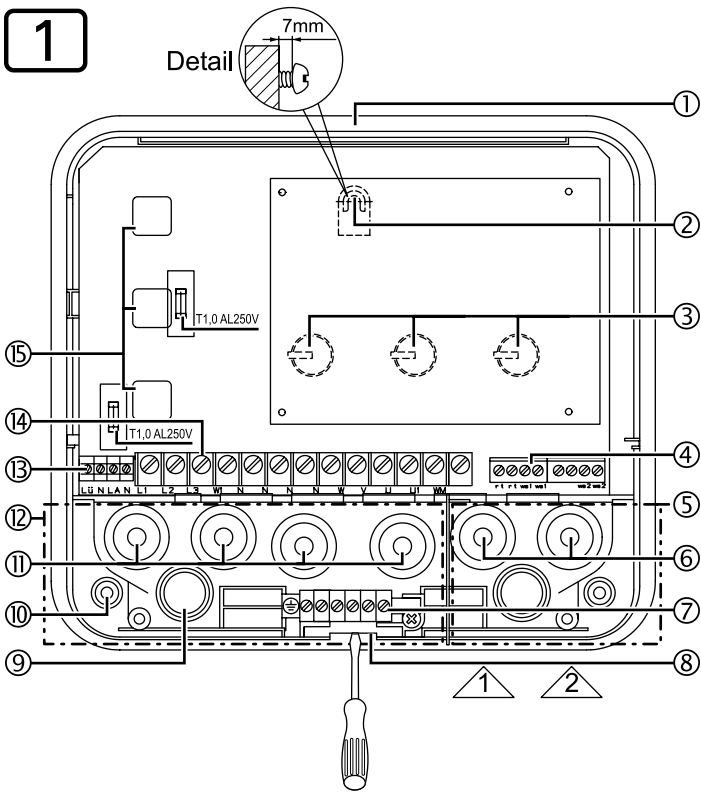
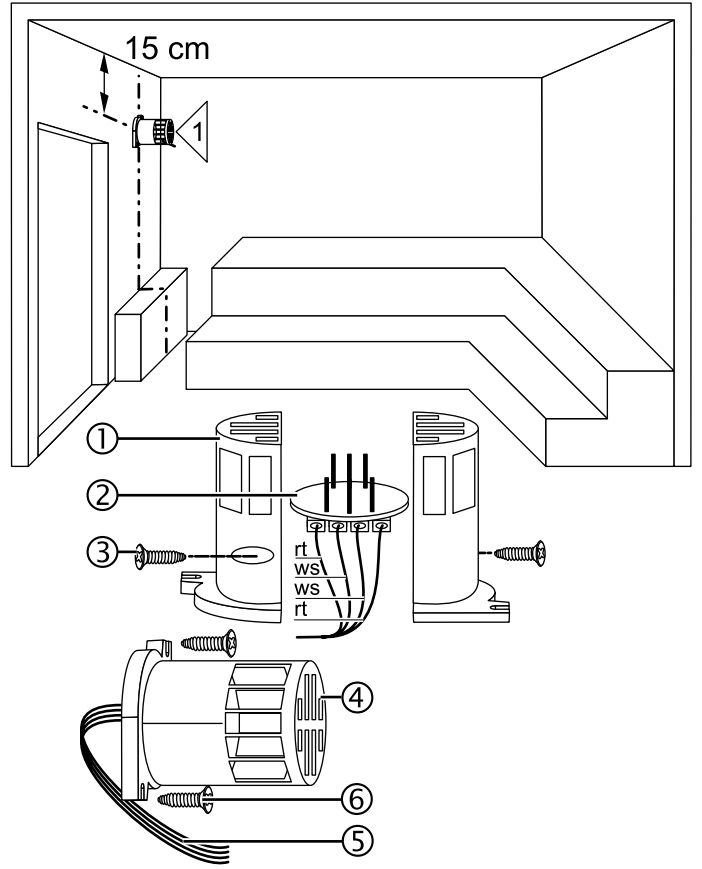


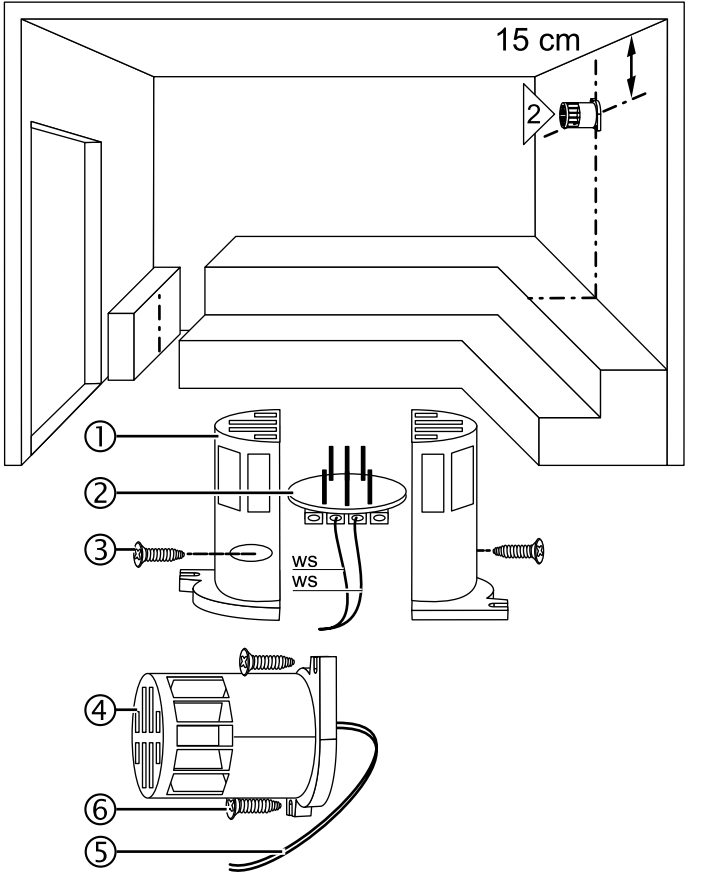
1



2

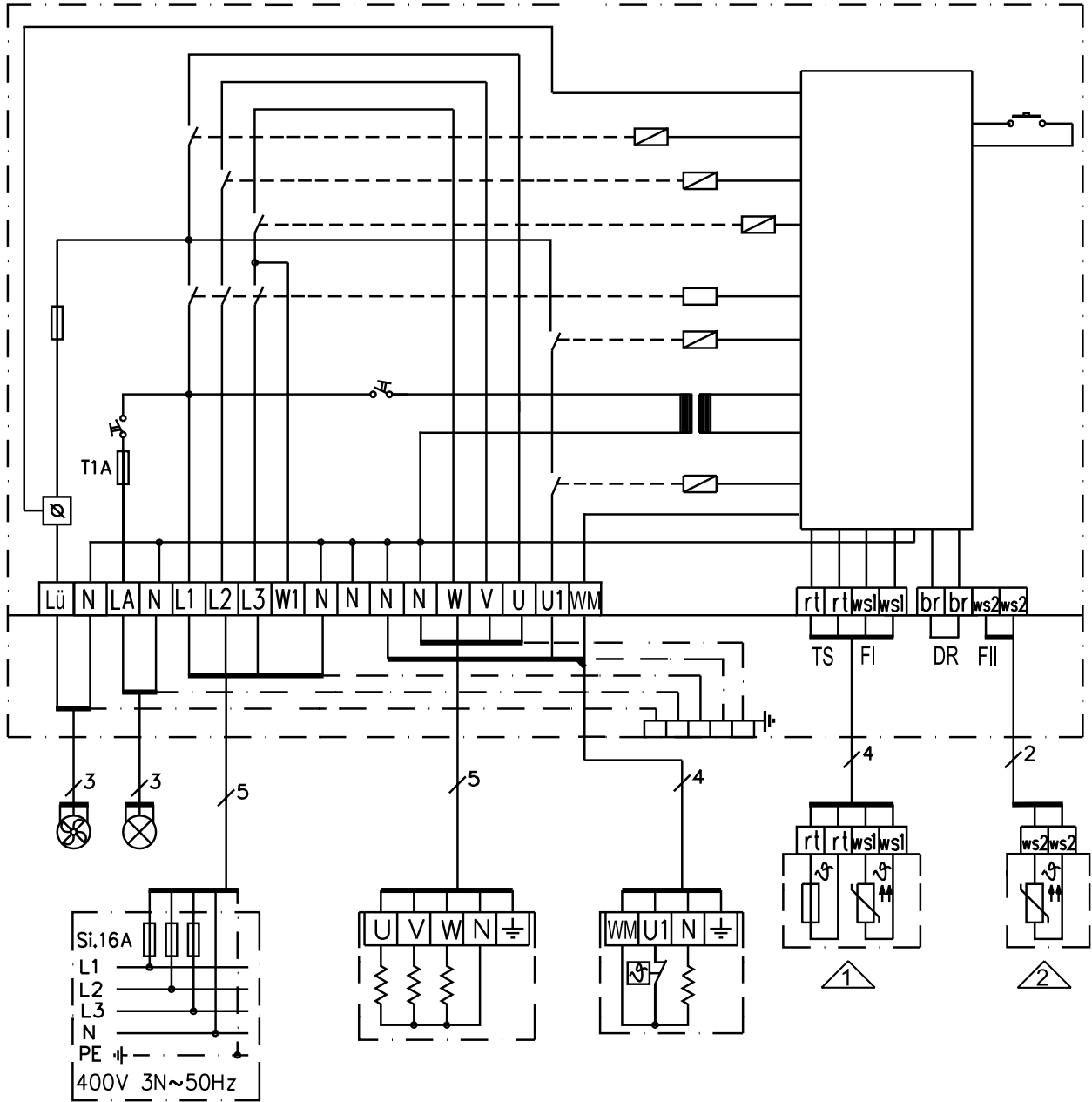


3



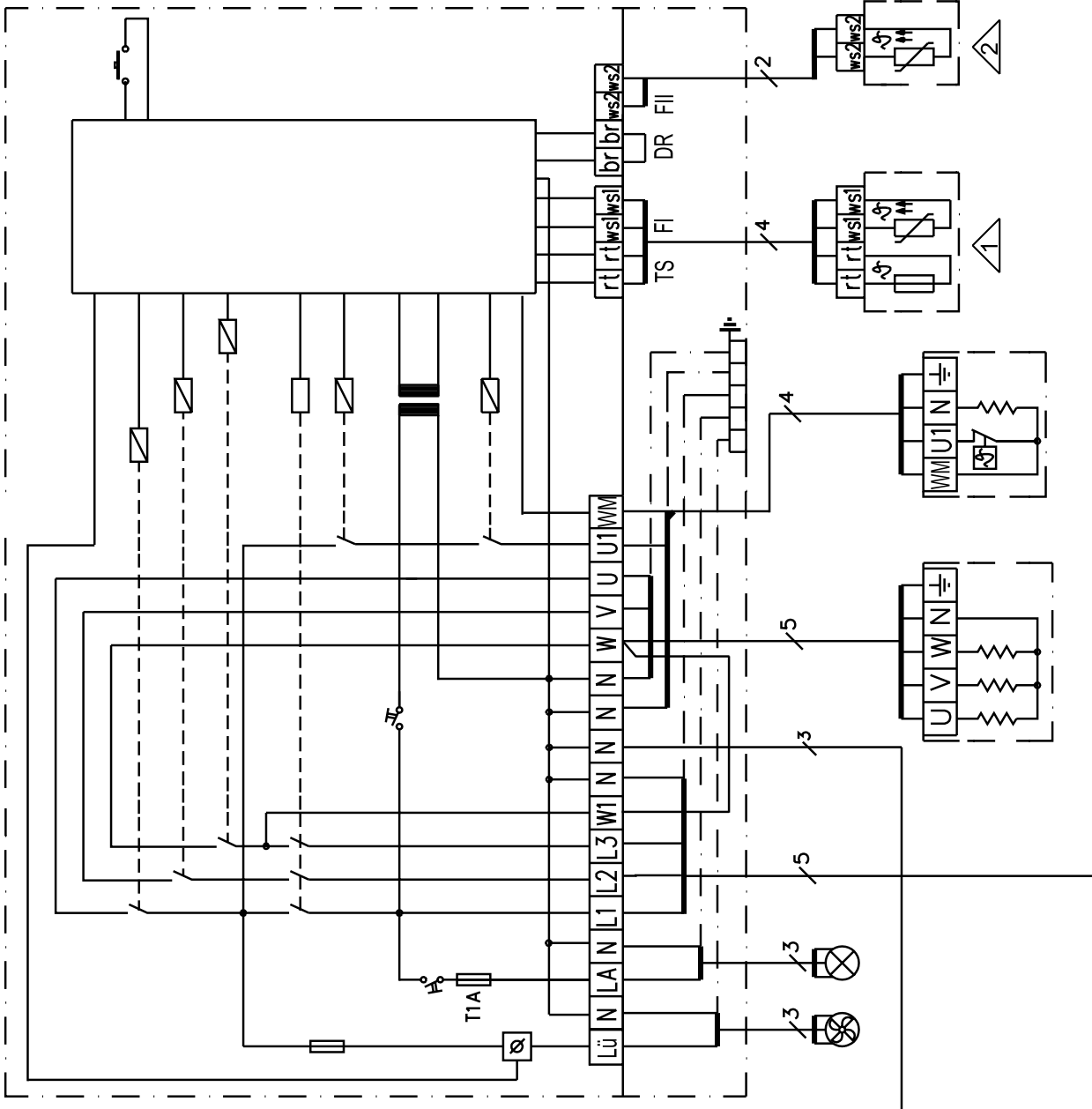
1

4



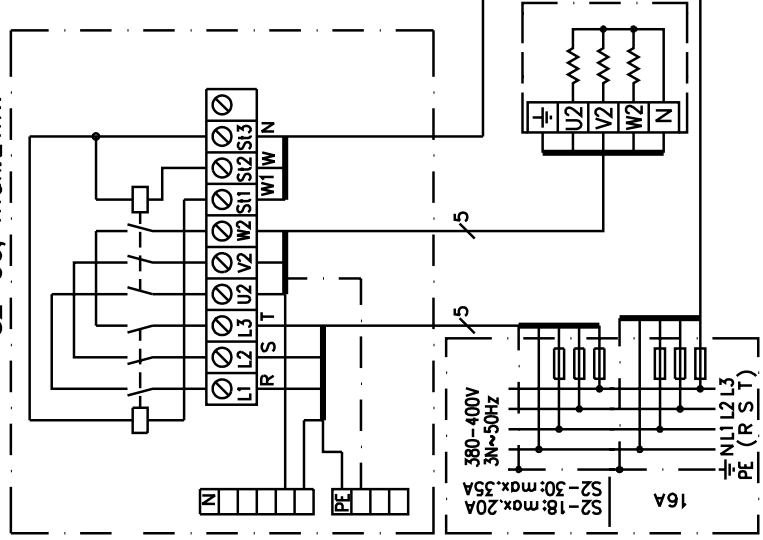
2

5



3

S2-18, max.9kW  
 S2-30, max.21kW



6

