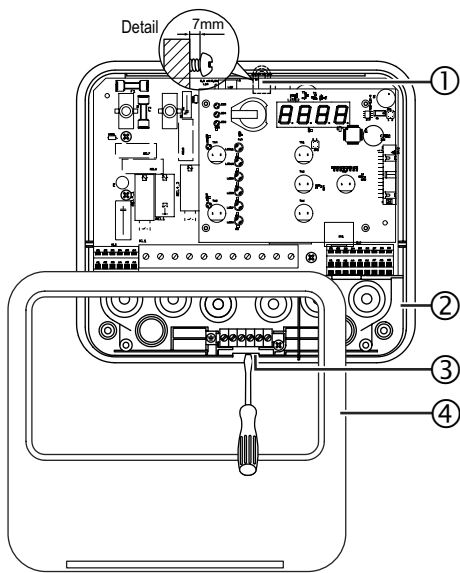
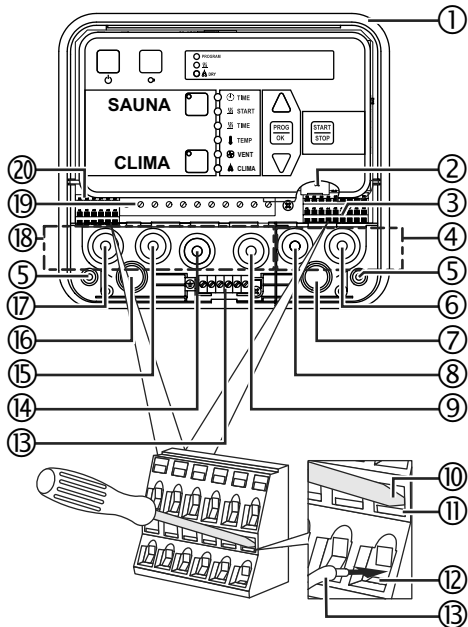


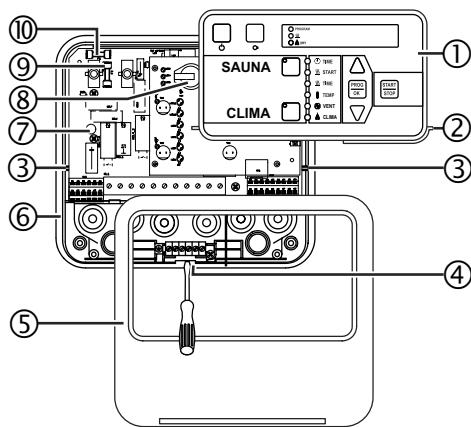
1



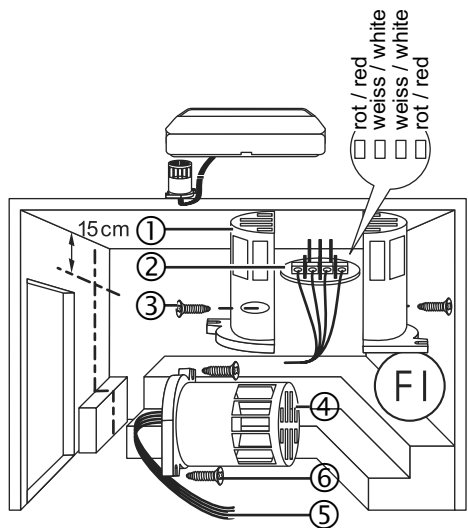
2



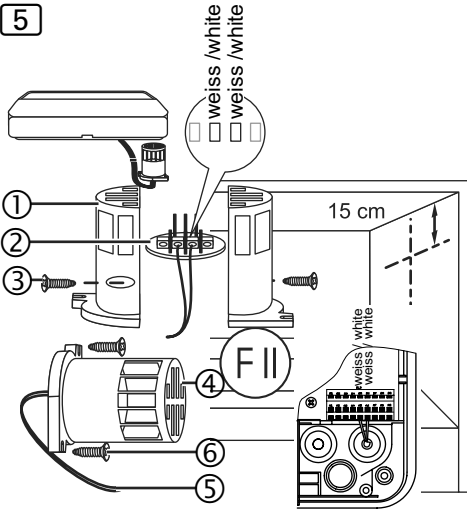
3



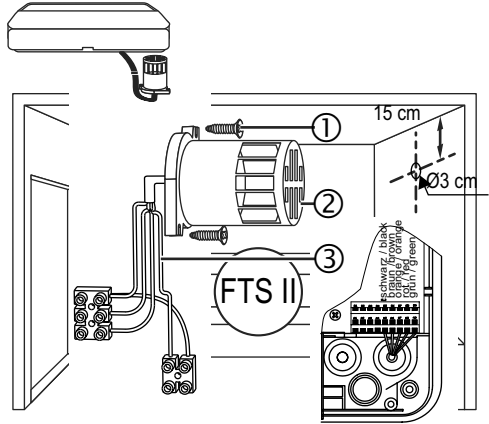
4



5

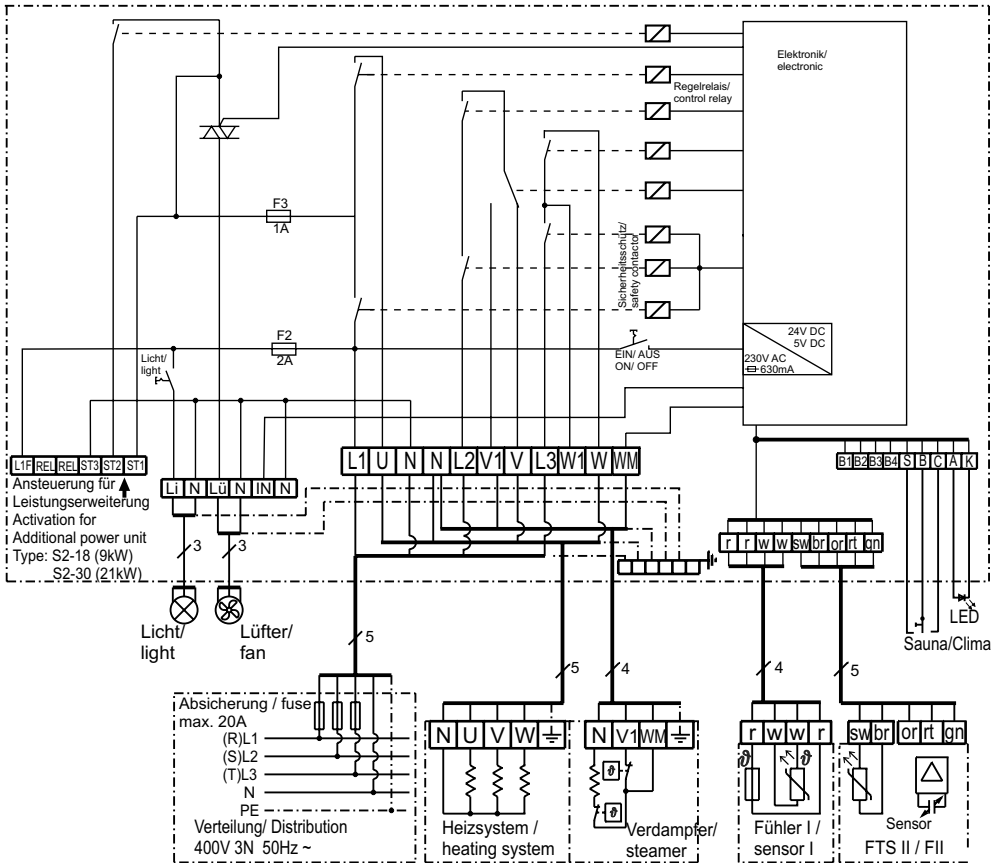


6



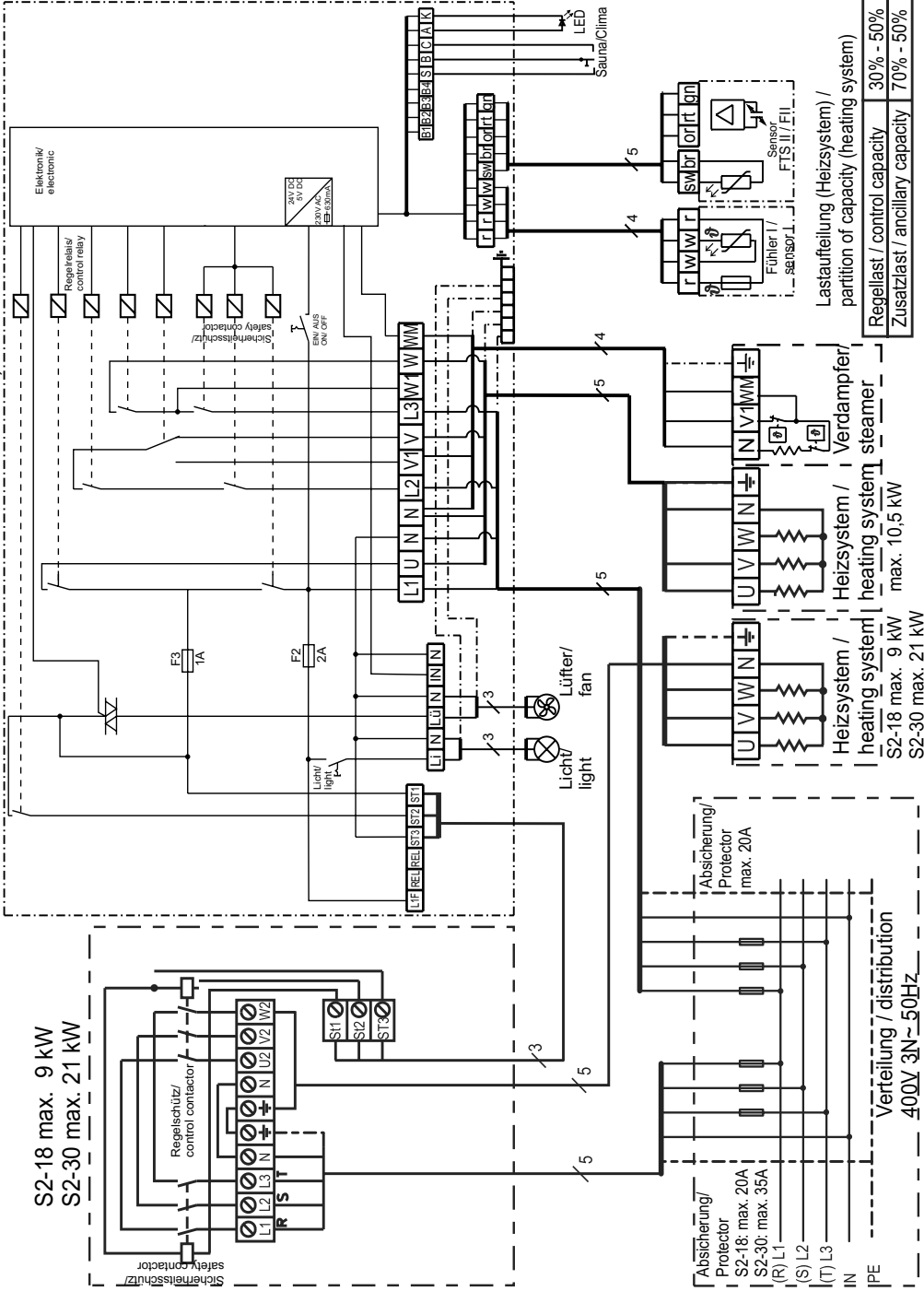
7

CK3 max. 10,5 kW



CK3 max. 10,5 kW

8



S2-18 max. 9 kW  
S2-30 max. 21 kW

Lastaufteilung (Heizsystem) /  
partition of capacity (heating system)

|                                 |           |
|---------------------------------|-----------|
| Regellast / control capacity    | 30% - 50% |
| Zusatzlast / ancillary capacity | 70% - 50% |

Absicherung / Protector max. 20A  
S2-18: max. 20A  
S2-30: max. 35A  
(R) L1  
(S) L2  
(T) L3  
IN  
PE  
Verteilung / distribution  
400V 3N~50Hz

Heizsystem / heating system  
Verdampfer / steamer  
S2-18 max. 9 kW  
S2-30 max. 21 kW

Fühler I / sensor I  
Fühler II / sensor II  
Sensor FTS II / FIL

LED  
Saunair/Clima

Elektronik / electronic  
24V DC  
230V AC  
50/60Hz

Regelrelais / control relay

Sicherheitschutz / safety switch

F3 1A  
F2 2A

Licht / light  
Lüfter / fan

L1 L2 L3 N1 N2 N3 V1 V2 V3 W1 W2 W3

LEI N1 L1 N2 L2 N3 L3

REI N1 R1 N2 R2 N3 R3

SW1 SW2 SW3

ST1 ST2 ST3

EM AUS ON OFF

EM EIN ON

EM AUS ON OFF

EM EIN ON

EM AUS ON OFF

EM EIN ON

